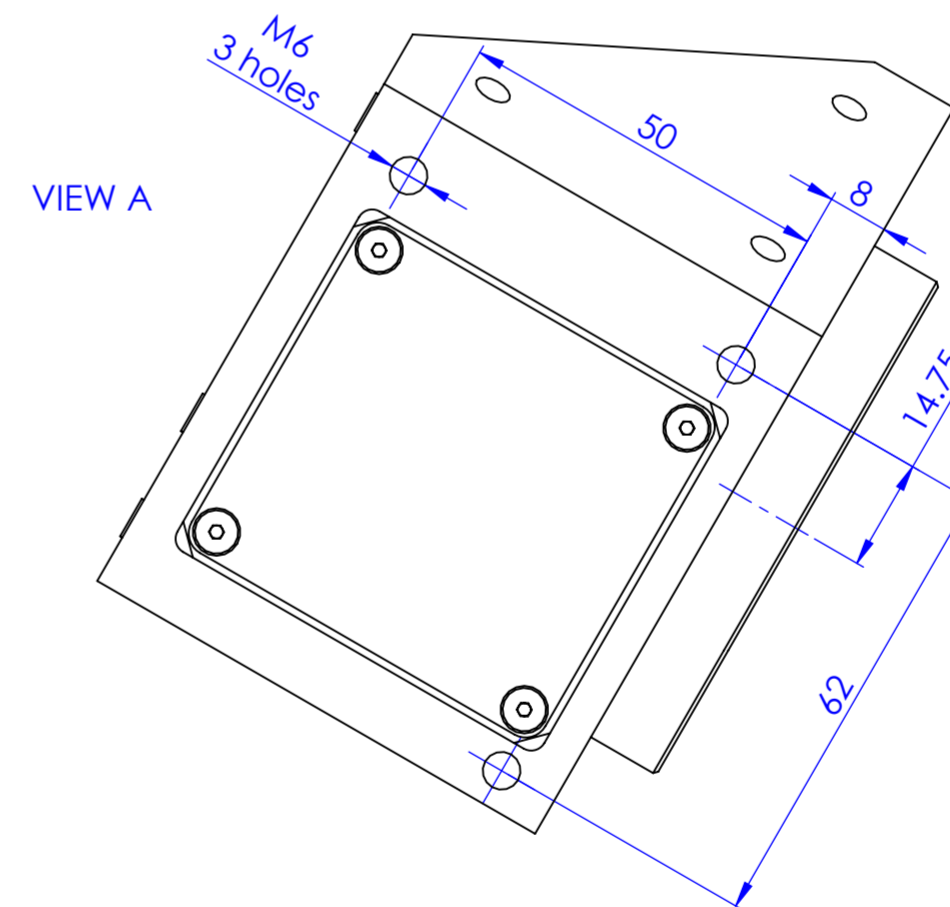
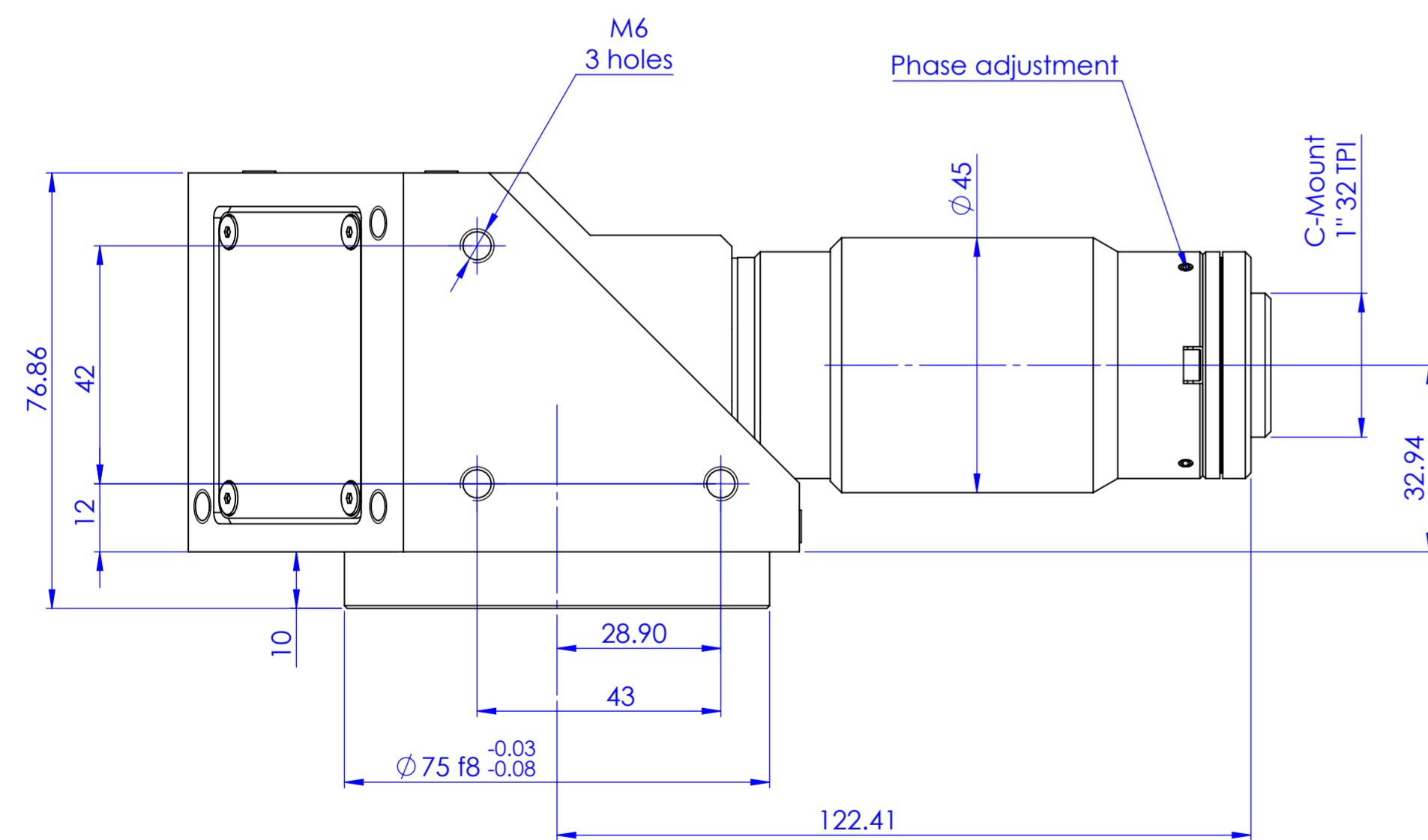


VIEW C



VIEW A

Material	N.A.	Mass	1306 g	Scale	1:1					
Surface treatment	N.A.	Part No.	CO23973							
Geometrical tolerance (ISO 2768-2)	Class	K	Undimensioned bevels	0.5x45°	Description TCCR4M048-C					
Linear tolerance (ISO 2768-2)	Class	m	Undimensioned radii	R 0.5						
0.5	>3+	>6+	>30+	>120	>400+	>1000	>2000	>4000	Drawing No. DP 23973-C	Sheet 1/1
+3	6	30	120	+400	1000	+2000	+4000			
±0.1	±0.1	±0.2	±0.3	±0.5	±0.8	±1.2	±2			
 OPTO ENGINEERING	Designed	04/03/2015	Name		Vasconetto					
	Drawn	16/07/2015	Name		Rodella					
	Checked		Name							
OPTO ENGINEERING S.r.l. - Mantova, Italy - Tel. +39 0376699111 - www.opto-e.com										

Secret and confidential - All rights reserved -  
No copy, dissemination or circulation is allowed unless  
specifically authorized in writing by OPTO ENGINEERING  
S.r.l. - Any violation shall be legally prosecuted.